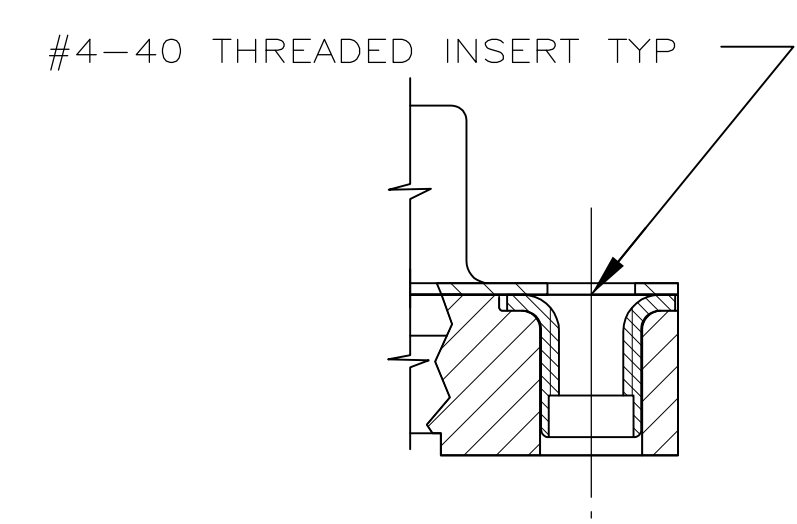
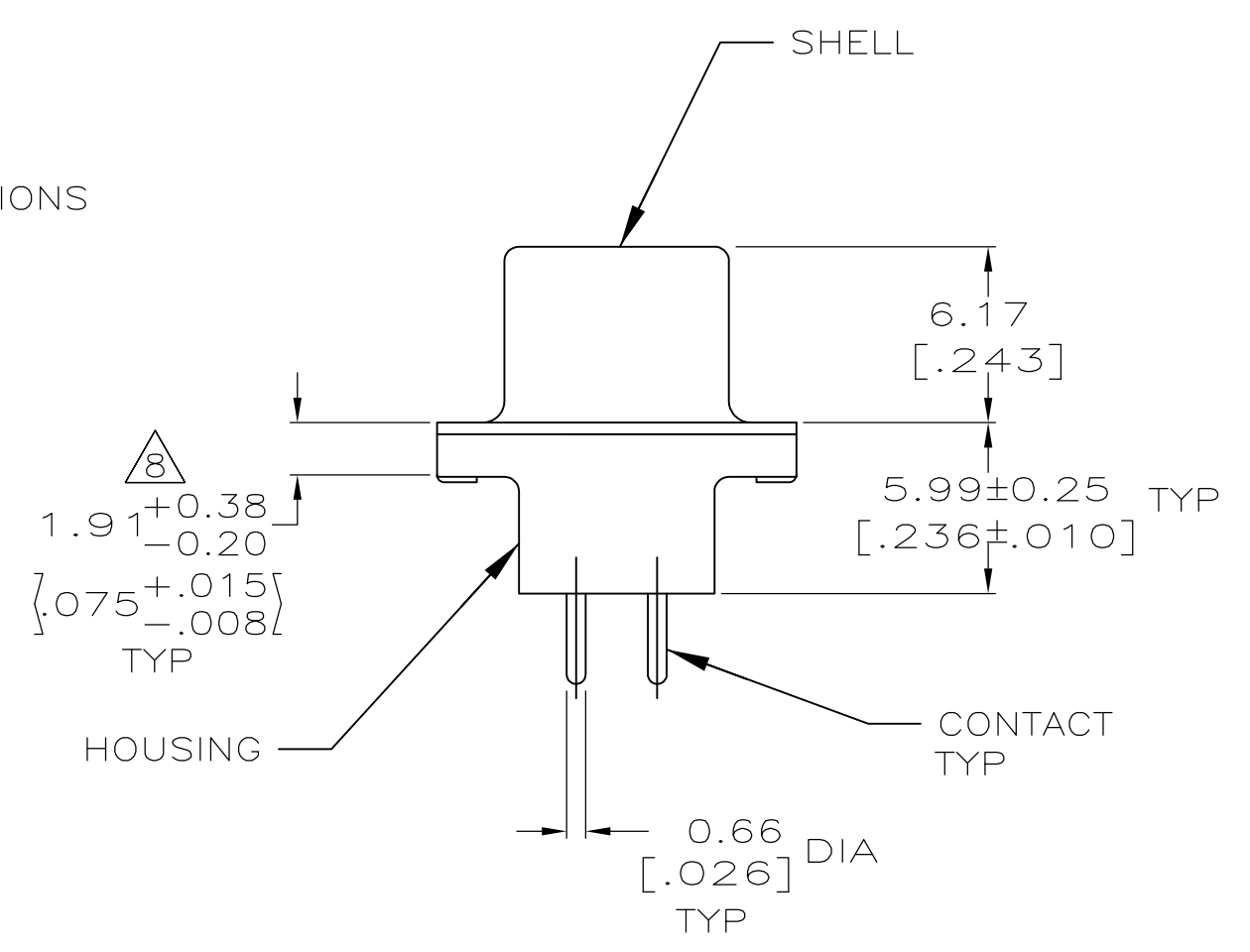
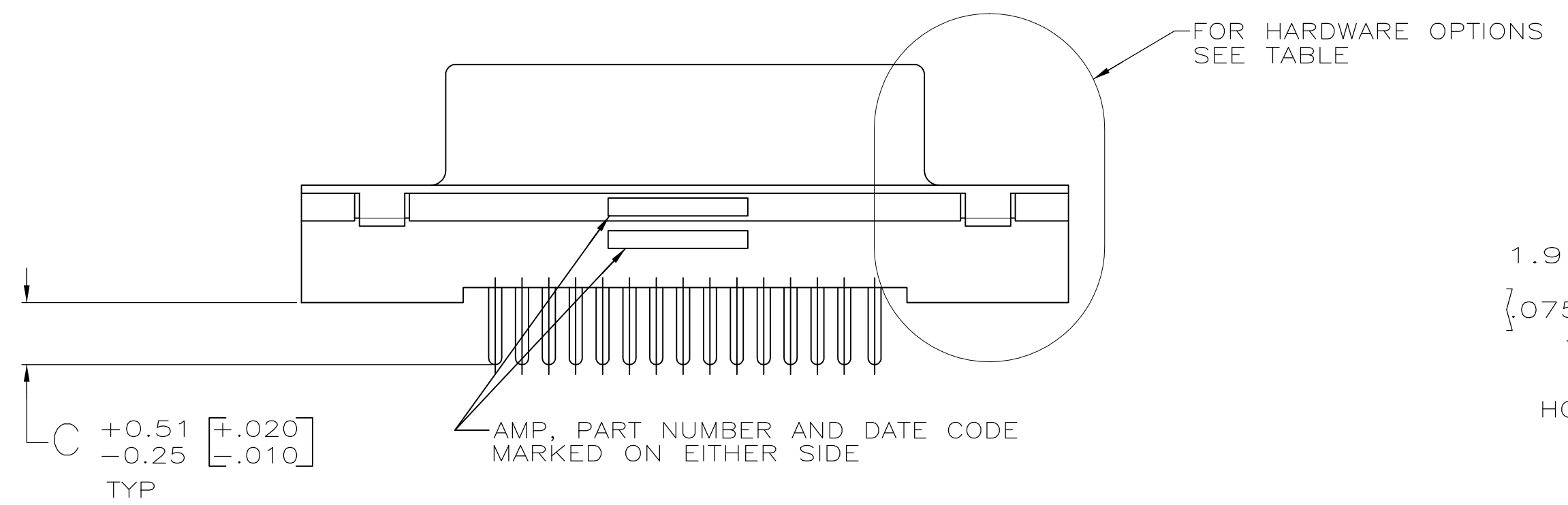
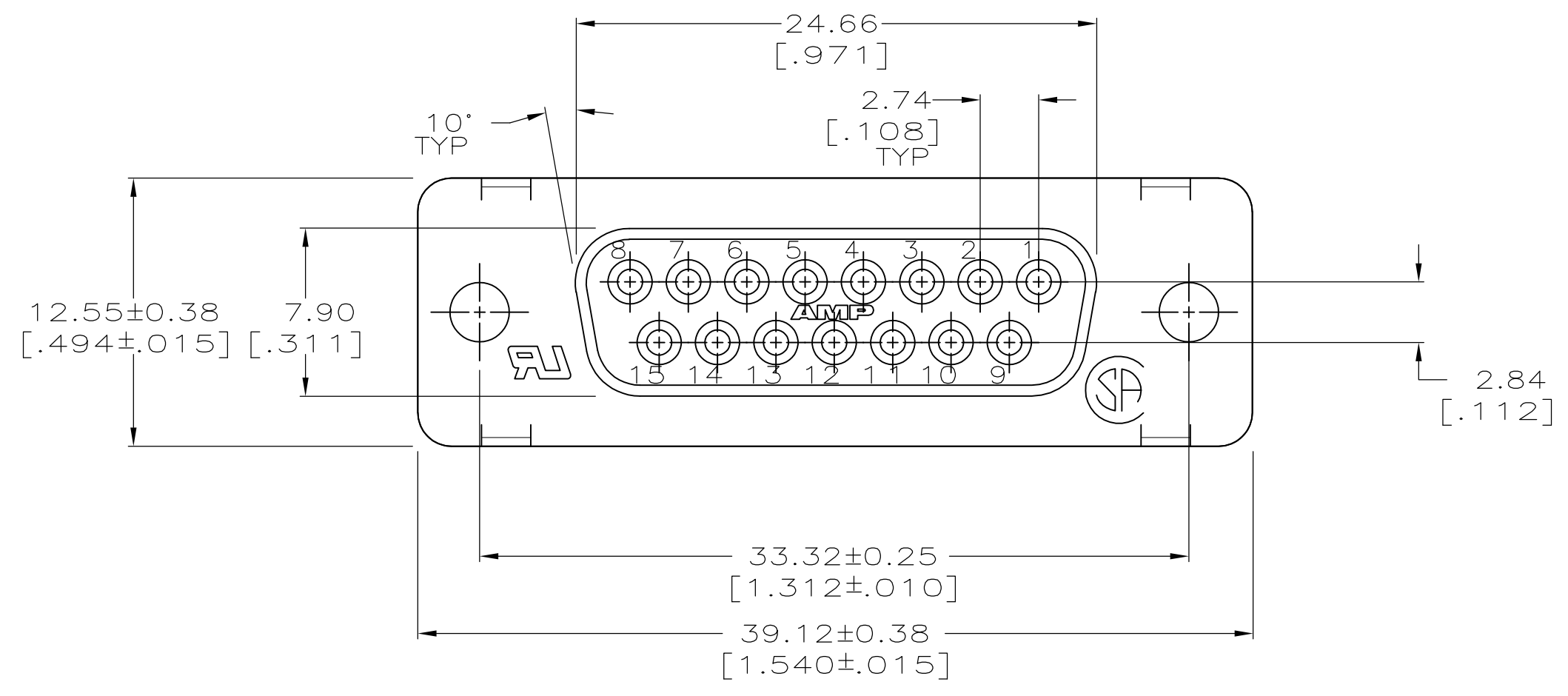
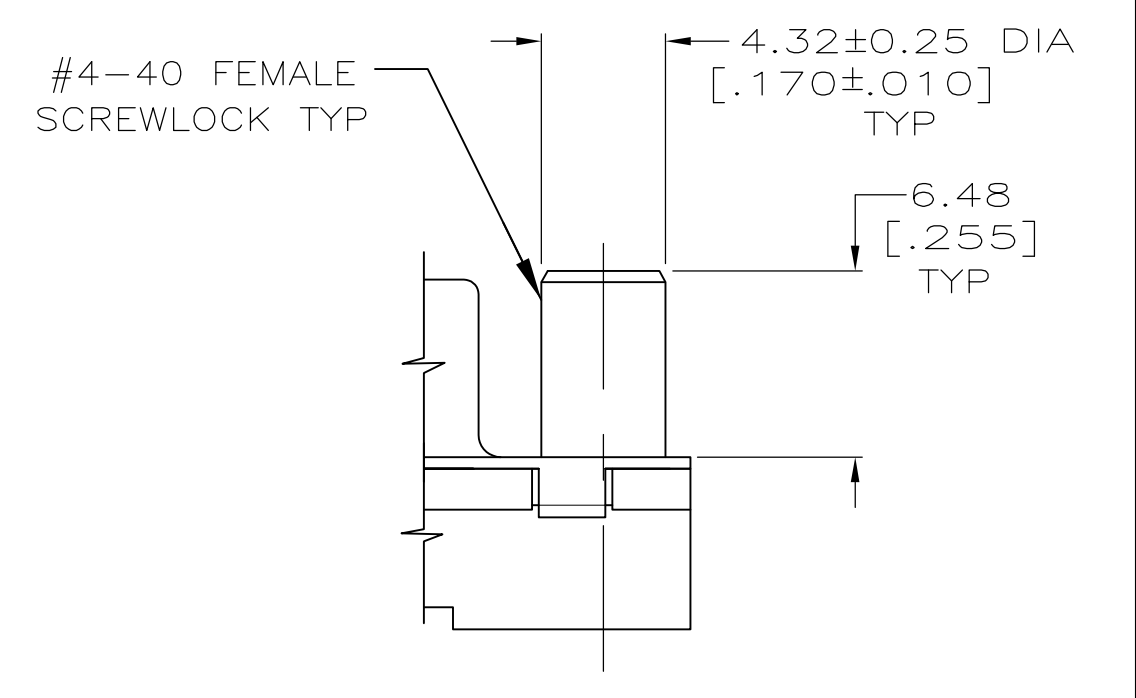


LOC	DIST	REVISIONS			
P	LTR	DESCRIPTION	DATE	OWN	APVD
GP	00	L1 REVISED PER ECO-11-004835	11MAR11	RK	HMR

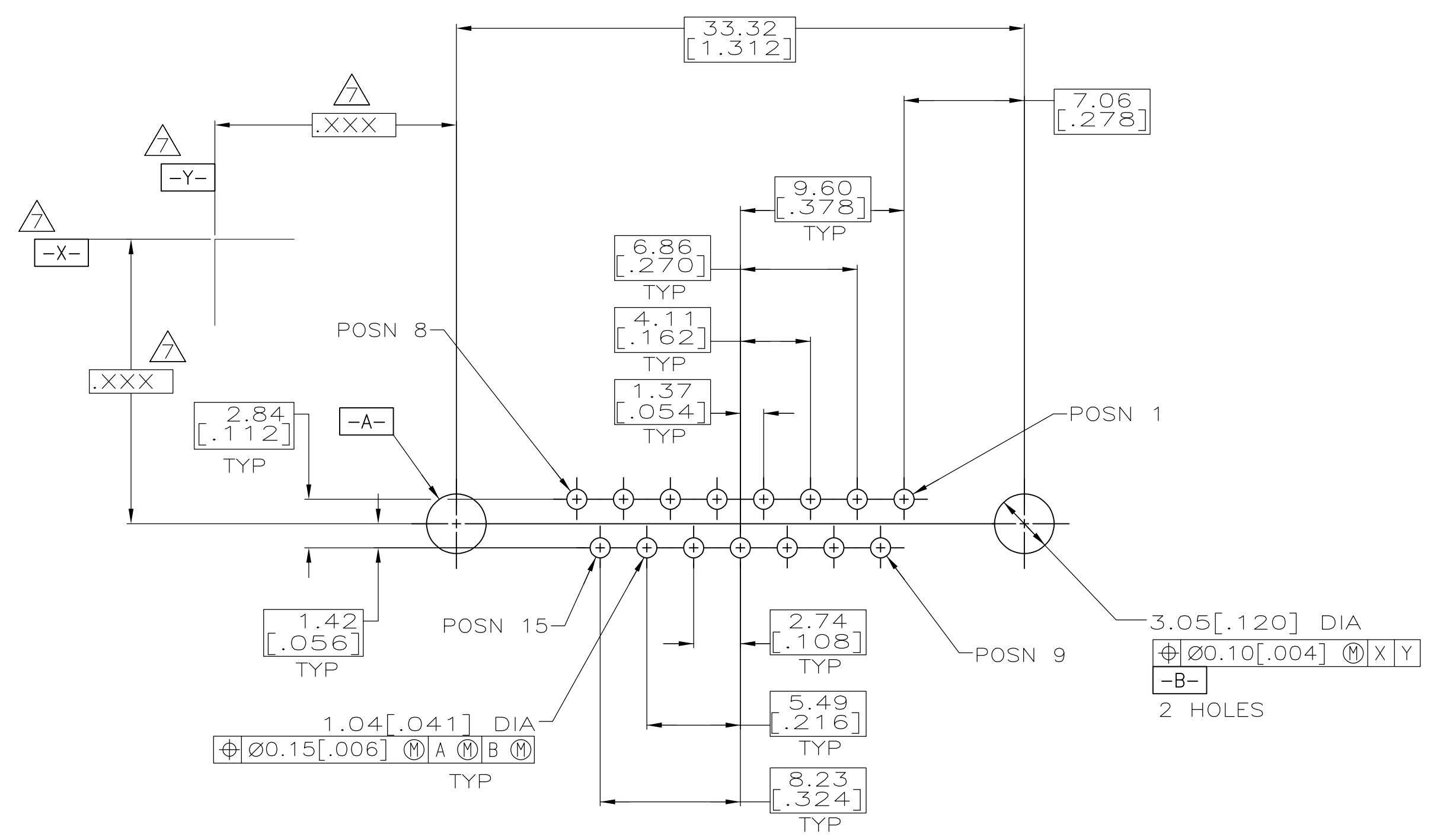
- ▲ POLYESTER, UL 94V-0 RATED, BLACK.
- ▲ CARBON STEEL.
- ▲ 5.08um [.000200] MIN TIN OVER 2.54um [.000100] MIN COPPER.
- ▲ GOLD FLASH FOR A LENGTH OF 2.54[.100] MIN FROM MATING END, 2.54um [.000100] MIN TIN OR TIN-LEAD ON OPPOSITE END, BOTH OVER 1.27um [.000050] MIN NICKEL.
- ▲ 0.76um [.000030] MIN GOLD FOR A LENGTH OF 2.54 [.100] MIN FROM MATING END, 2.54um [.000100] MIN TIN OR TIN-LEAD ON OPPOSITE END, BOTH OVER 1.27um [.000050] MIN NICKEL.
- ▲ NOTE DELETED.
- ▲ DATUMS AND BASIC DIMENSIONS ESTABLISHED BY CUSTOMER.
- ▲ 2.79[.110] MAX IN SHELL TAB CLINCH AREAS.
- ▲ OBSOLETE PART NUMBER.
- ▲ SUPSD BY 747299-2.
- ▲ SUPSD BY 1-747299-6.



DETAIL D



DETAIL E



RECOMMENDED PC BOARD MOUNTING DIMENSIONS

W/FEMALE SCREWLOCKS PER DETAIL E	▲5	4.32 [0.170]	▲1	1-747299-6
	▲4	4.32 [0.170]	▲1	1-747299-5
	▲5	3.18 [0.125]	▲9	1-747299-4
W/THREADED INSERTS PER DETAIL D	▲5	4.32 [0.170]	▲9	1-747299-0
	▲5	3.18 [0.125]	▲9	747299-8
	▲4	3.18 [0.125]	▲9	747299-7
WO/FEMALE SCREWLOCKS OR THREADED INSERTS AS SHOWN	▲5	6.35 [0.250]	▲9	747299-6
	▲5	4.32 [0.170]	▲9	747299-4
	▲4	3.18 [0.125]	▲10	747299-2
HARDWARE OPTIONS	CONTACTS	C	PART NO	
	FINISH	C	PART NO	

THIS DRAWING IS A CONTROLLED DOCUMENT.

DIMENSIONS: mm(INCHES)	TOLERANCES UNLESS OTHERWISE SPECIFIED: 0 PLC ± - 2 PLC ± - 3 PLC ± 0.13 [005] 4 PLC ± - ANGLES ± -	DWN D BROCKWAY 3-22-93 CHR R STONE 9-10-93 APVD -	NAME <b>STE</b> TE Connectivity
MATERIAL ▲1 ▲2	FINISH ▲3	PRODUCT SPEC 108-40025 APPLICATION SPEC 114-40023 WEIGHT -	RECEPTACLE ASSEMBLY, SIZE 2, 15 POSITION, FRONT METAL SHELL, WITH OR WITHOUT SCREWLOCKS OR INSERTS. SIZE CAGE CODE DRAWING NO A1 00779 C=747299 RESTRICTED TO -
CUSTOMER DRAWING		SCALE 4:1	SHEET 1 OF 1 REV L1